

# DI-200 Series

*Digital Indicators*



Actual size

DIN Standard 96x96

## ***Design your own weighing operation systems with the DI-200 series.***

- *Internal resolution 1/60,000*
- *Display resolution 1/500-1/20,000*
- *Four 350Ω load cells capability*
- *Bright LED display*
- *High A/D conversion speed: 30 times/sec.*
- *Remote sensing function*
- *One touch/digital tare subtraction*
- *Zero point recall function*
- *Digital filter*
- *IP-65, water protection class of front panel*
- *Digital span calibration*
- *Versatile applications available with various I/F's*

# DI-200 Series

## Digital Indicators

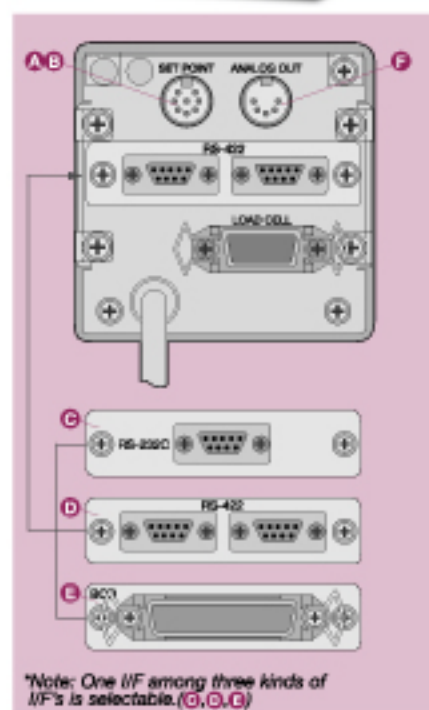
The DI-200 series has six models grouped with the I/F's, to meet various weighing application needs.



Model	A Set point	B Remote key	C *RS-232C	D *RS-422	E *BCD parallel	F Analogue output
DI-200 STD	Yes	Yes	No	No	No	No
DI-200/RS-232	Yes	Yes	Yes	No	No	No
DI-200/RS-422	Yes	Yes	No	Yes	No	No
DI-200/BCD	Yes	Yes	No	No	Yes	No
DI-200/RS-232/ANA	Yes	Yes	Yes	No	No	Yes
DI-200/RS-422/ANA	Yes	Yes	No	Yes	No	Yes

\*Note: One I/F among three kinds of I/F's is selectable. (O, O, O)

- A Set point I/F:** Five open collector outputs (30VDC 50mA) - All settings are performed through keyboard entry or RS-232C serial input.  
Din 8 Pin Female
- B Remote key I/F:** Zero Reset and Tare Entry/Clear can be performed.  
Din 8 Pin Female
- C \*RS-232C I/F:** Serial communication protocol is selectable from three types.
  - Continuous data transmission
  - Data transmission when pressing arrow key
  - Data transmission on the command from other device
 Moreover, Zero Reset, Tare Entry, Tare Clear, Set point Value Entry can be performed from external device in command mode.  
DSub 9 Pin
- D \*RS-422 I/F:** Network to 16 individually addressed machines with RS-422 communication  
DSub 9 Pin X 2 pcs
- E \*BCD parallel I/F:** Parallel BCD (Binary-Coded-Decimal) output - Output data are Weight, Minus and Status.  
Amphenol 36 Pin
- F Analogue output I/F:** 4-20mA, 16 bit resolution - Programmable parameters adjust the analogue output gain. Output data are based on gross weight.  
Din 5 Pin Female

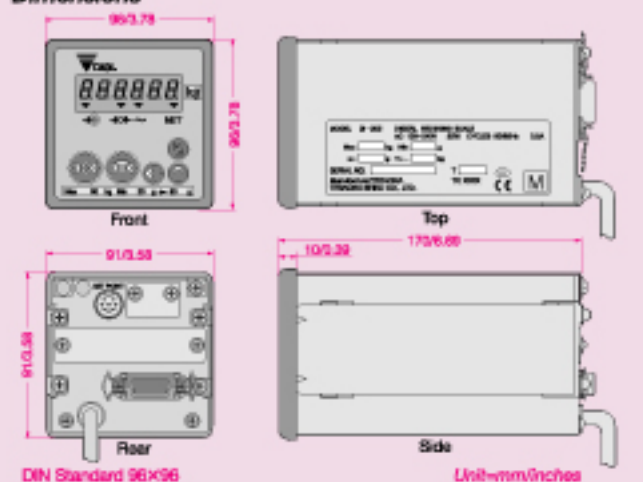


### Specifications

Analog section	Input sensitivity	0.25mV/V to 3.5mV/V
	Zero adj. range	±128%F.S.
	Load cell excitation	10VDC
	A/D conversion rate	30 times/sec.
	Temp. Coefficient	ZERO: 0.16µV/°C SPAN: 5ppm/°C TYP
Non linearity		0.01% of F.S.
	Number of load cells	Max. 4 load cells (350Ω)
	Scale interface	Amphenol 14 pin
Digital section	Type	LED display (letter height: 10.2 mm)
	Display	5 digits
	Display division	1, 2, 5, 10, 20 and 50
	Decimal point location	3 positions and no decimal, 00,000 thru 00000
	Indicator	Annunciator for "WEIGHT STABLE", "ZERO", "NET" and "DATA ENTRY"
General	Power source	AC100-120V, 220-240V, 50/60Hz 220-240V for Europe
	Power consumption	10W
	Operating temperature	-10°C to 40°C/14°F to 104°F
	Operating humidity	85%RH Max. (Non-condensing)
	Net weight	1.29kg/2.84lb

- Peripherals**
- Scale terminal cable of DI-200
  - Analogue terminal cable of DI-200

### Dimensions



- \* Meets or exceeds the requirements of OML Class (B).
- \* Specifications are subject to change without notice.

**Teraoka Seiko Co., Ltd.**  
13-12 Kugahara 5-chome, Ohta-ku,  
Tokyo 146-8580 Japan  
TEL: +81-3-3752-2131 FAX: +81-3-3752-2801  
<http://teraoka.digi.co.jp/index.nsf>  
e-mail: info@hq.digi.co.jp

**Teraoka Weigh-System Pte Ltd.**  
3A Tuas Avenue 8, Singapore 639218  
TEL: +65-661-1244 FAX: +65-661-3144

**Shanghai Teraoka Electronic Co., Ltd.**  
Ting Lin Industry Developmental Zone,  
Jin Shan District, Shanghai 201506, China  
TEL: +86-21-57234888 FAX: +86-21-57234090