

KK-300W series | Bench Scale



TOTAL WEIGHING SOLUTION™

KENKO®
Panasonic Kenko Electric. Co.Ltd



...Clearly a Better Value



Standard
Pan Size



Large



Compact Bench
Scale

FEATURES

- 150 and 300 lb capacities
- Battery or AC operated (AC Adapter Include)
- Tilt and swivel head
- Check Weigh Function (Low/OK/High)
- Counting Feature (Not Legal for Trade)
- RS-232C Interface
- Legal for Trade - COC #98-085

NEW MODE
KK-300W



Warranty - Five Years



Three Types of Display



Large LCD Display



Large VFD Display
Easy to see
Even in dark areas



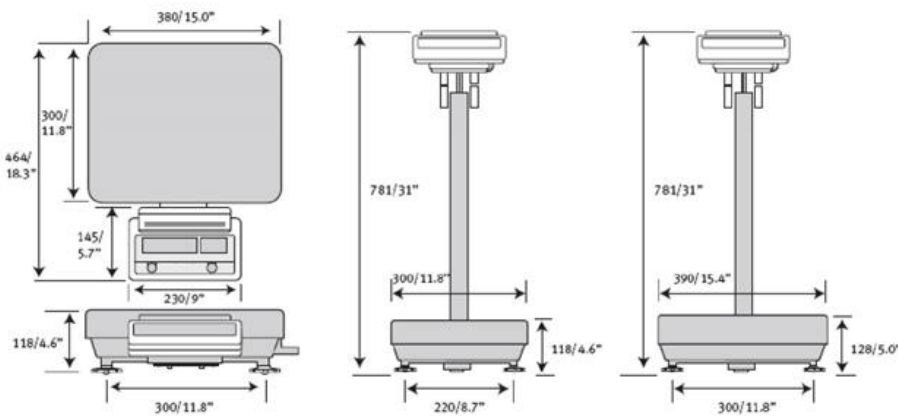
Large VFD Display with Printer
Easy to see
Even in dark areas

PLATFORM SCALES



Weight capacity (kg)	30	60	150	200	300	500
Min. display (kg)	0.01*	0.01*	0.01*	0.01*	0.02*	0.05*
	0.005	0.01	0.02	0.01	0.02	0.02
	0.002	0.005	0.01	0.005	0.01	0.01
Weight capacity (lb)	60	150	300	150	300	400
Min. display (lb)	0.02*	0.05*	0.1*	0.05*	0.1*	0.1*
	0.01	0.02	0.05	0.02	0.05	0.05
	0.005	0.01	0.02	0.01	0.02	0.02
Weight capacity (oz)	960	2400	4800	2400	4800	6400
Min. display (oz)	0.5*	1*	2*	1*	2*	2*
	0.2	0.5	1	0.5	1	1
	0.1	0.2	0.5	0.2	0.5	0.5
No. of samples	5 (can be changed to 10, 20, 50 or 100) pieces					
Max. counts	120,000 pcs	96,000 pcs	120,000 pcs	96,000 pcs	120,000 pcs	160,000 pcs
Min. unit weight	0.25 g	0.625 g	1.25 g	0.625 g	1.25 g	1.25 g
Repeatability (Std. deviation)	0.05 kg	0.01 kg	0.02 kg	0.01 kg	0.02 kg	0.02 kg
Linearity error	0.01 kg	0.02 kg	0.05 kg	0.02 kg	0.05 kg	0.05 kg
Sensitivity drift	20 ppm / C (10 °C~30 °C / 50 °F~86 °F)					
Display	7 segment LCD display (Character height 26 mm)					
Display update	10 times per second					
Operating temp	-10 °C~40 °C / 14 °F~104 °F, less than 85% RH (no condensation)					
Power supply	AC adapter or C size (R14P / LR14) x 4 batteries					
Battery operating	Approximately 150 hours with alkaline dry cell battery					
Weighing pan size	40 x 50 cm	40 x 50 cm	40 x 50 cm	40 x 50 cm	40 x 60 cm	50 x 60 cm
Dimension	50 x 60 cm			55 x 80 cm		
Weight (approximately)	FG-KAM: 11.2 kg / FG-KBM: 9.7 kg				16.4 kg	
Calibration weight (Factory setting)	30 kg / 60 lb	60 kg / 150 lb	150 kg / 300 lb	60 kg / 150 lb	150 kg / 300 lb	200 kg/400 lb

*** Legal for Trade Setting**



Model Selection Guide

Capacity	Column	Pan Size	Model Number
30kg / 60lb	No	M	FG-30KBM
30kg / 60lb	Yes	M	FG-30KAM
60kg / 150lb	No	M	FG-60KBM
60kg / 150lb	Yes	M	FG-60KAM
60kg / 150lb	Yes	L	FG-60KAL
150kg / 300lb	No	M	FG-150KBM
150kg / 300lb	Yes	M	FG-150KAM
150kg / 300lb	Yes	L	FG-150KAL
200kg / 400lb	Yes	L	FG-200KAL

...Clearly a Better Value



Specifications subject to change without notice



Panasonic Kenko Electric Co, Ltd
36 Sisenju, Okio, Osaka 234-23354 Japan
Tel. 81-32-565434667

Specifications subject to change without notice