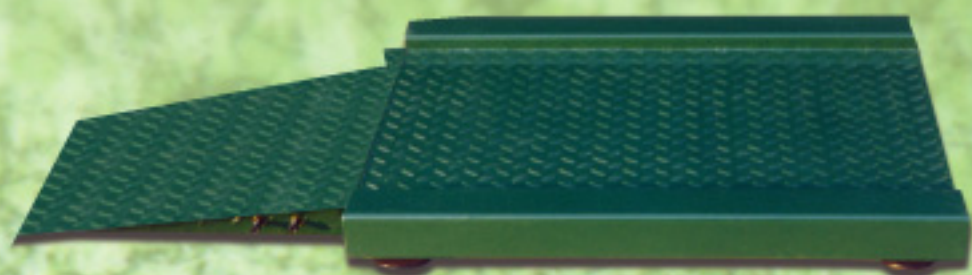


SCS Series

BAR SCALE/FLOOR SCALE/FORK PALLET SCALE



FLOOR SCALE



U TYPE BAR SCALE

FORK PALLET SCALE

***NO MATTER IT IS HEAVY OR LIGHT,
THE SCS SERIES CAN WEIGHT IT.***

SCS Series
price computing scale

scs-series

price Computing Scale

Specifications

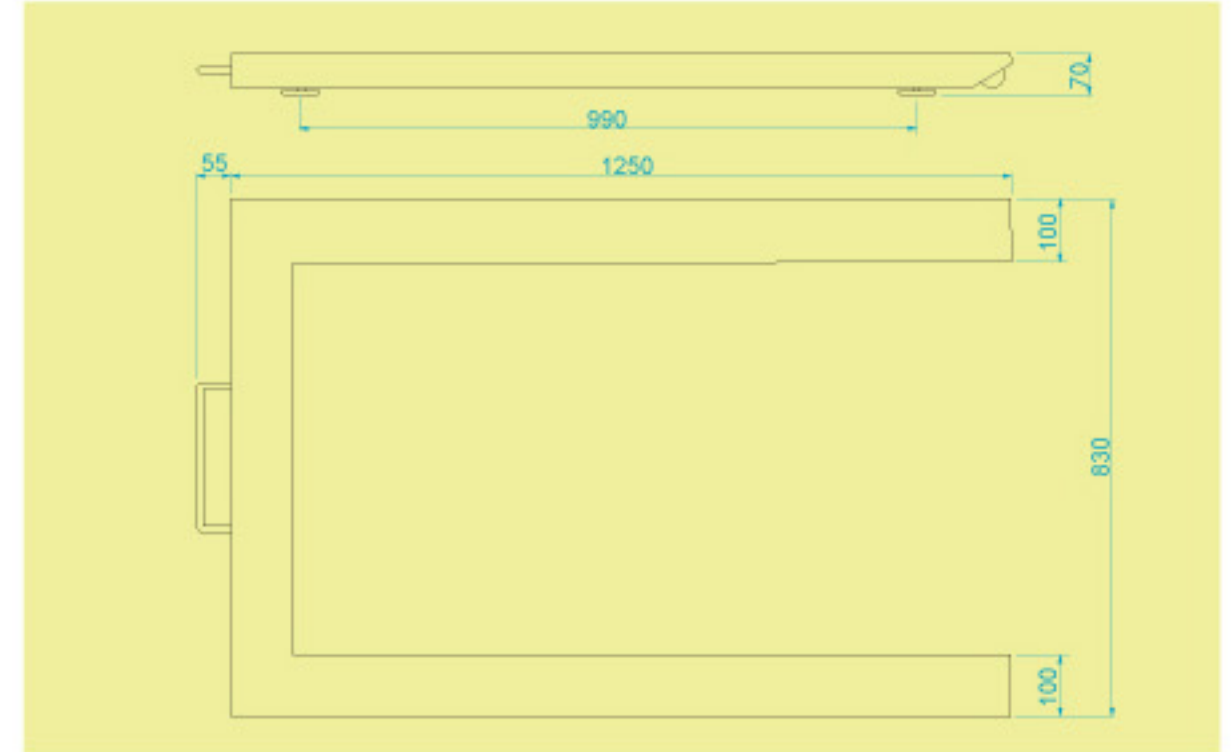
FORK PALLET SCALE

Max. Capacity ————— 1000kg/2000kg
Indicator can be liked



U TYPE BAR SCALE

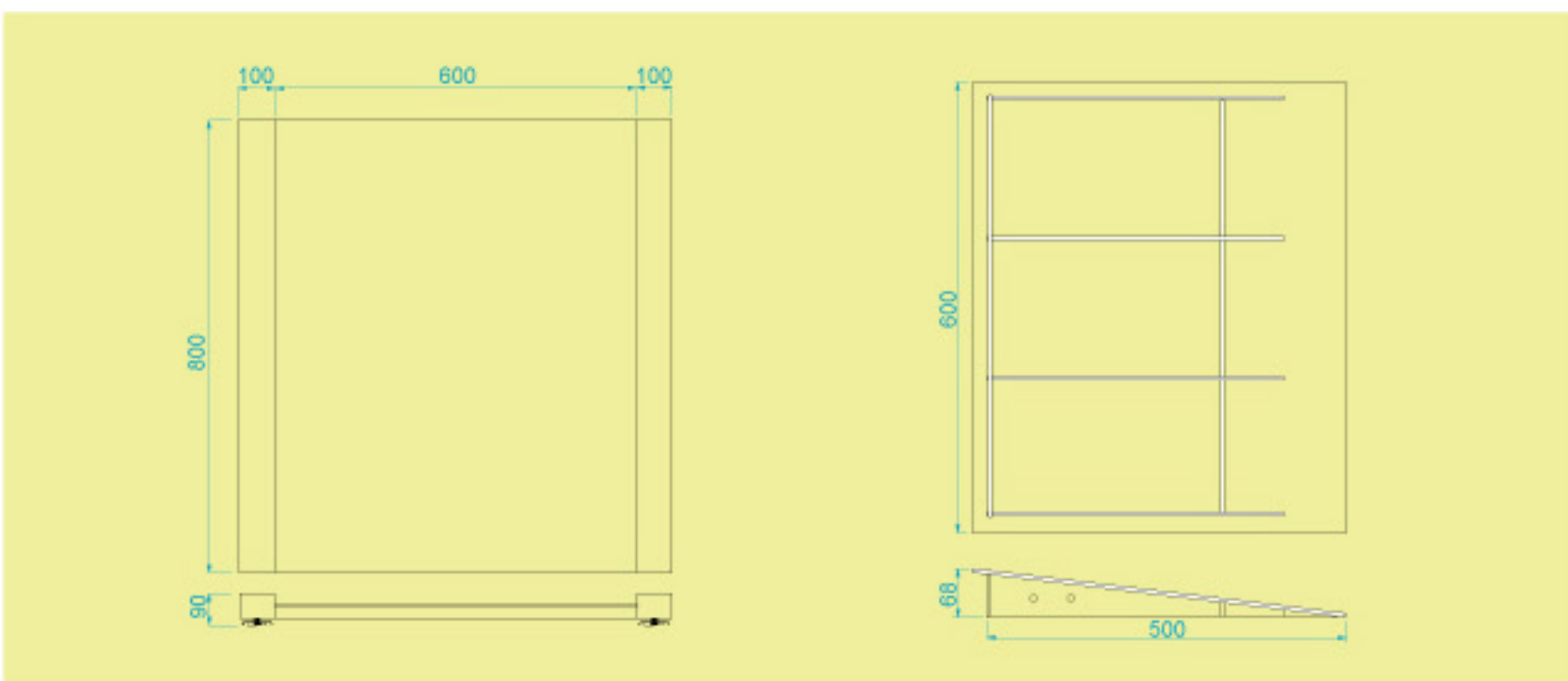
Max. Capacity ————— 600kg/1500kg
Dimension ————— 1250(L) × 100(W) × 70(H)
Number of Loadcell ——— 4 × F type loadcell
Length of Loadcell cable — 6m
Material ————— normal steel with coating or satailess steel



FLOOR SCALE

Platter size(mm)L×W2	Max.capacity(kg)	Bar width(mm)W1	Platform high(mm)		
			H1	H2	(mm)
800×600	300/600	100	90	68	68
1250×1000	600/1500	100	90	68	68

Number of Loadcell ————— 4 × TC type loadcell(waterproof type)
Lenght of Loadcell line ——— 9 meter(standard DDK57-30140 interface)
Material ————— normal steel with coating
Options ————— slope



**Specifications are subject to change without notice.*

TERAOKA SEIKO CO.,LTD.

13 12 KUGAHARA 5 CHOME OHTA KU,
TOKYO 146-8580 JAPAN
TEL:+81-3-3752-2131 FAX:+81-3-3752-2801